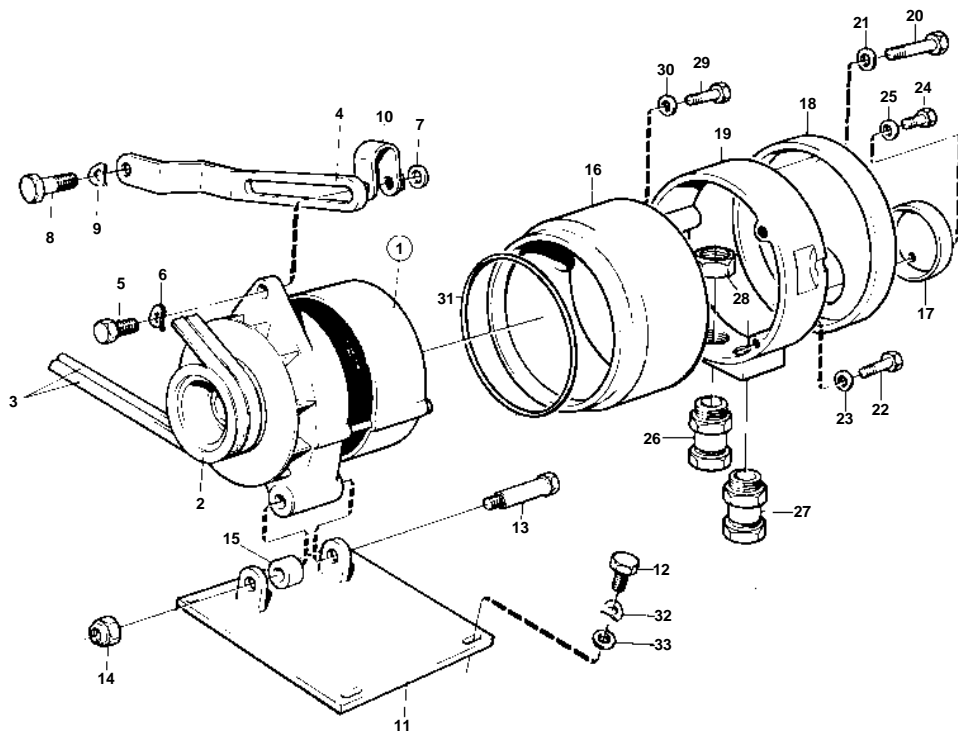


TMD121C, TAMD121C, TAMD121D



7364

TMD121C, TAMD121C, TAMD121D

REF	PART NO.	QTY	DESCRIPTION	NOTES
1	827349	1	Alternator	28V 25A REPL BY 847651. For 24 voltage electric system
	847651	1	Alternator	28V 25A. For 24 voltage electric system
2	822573	1	Pulley	
3	966968	1	V-belt kit	L=975mm
4	846831	1	Tensioner	
5	955298	1	Screw	
6	941907	1	Spring washer	
7	191172	1	Washer	
8	955536	1	Screw	
9	942336	1	Spring washer	
10	466735	1	Tensioning eyelet	
11	823935	1	Bracket	
12	940135	4	Screw	
13	822580	1	Screw	
14	950355	1	Nut	
15	912151	1	Spacer ring	
16		1	Attaching ring	
17		1	Cover	
18		1	Cover	
19		1	Housing	
20	956065	3	Screw	
21	941904	3	Spring washer	
22	940326	3	Screw	
23	941906	3	Spring washer	
24	956061	3	Screw	
25	941904	3	Spring washer	
26	881192	1	Cable union	
27	881520	1	Fitting	OP
28	880243	1	Nut	
29	955253	2	Screw	
30	941905	2	Spring washer	
31		1	Sealing ring	
32	941907	4	Spring washer	
33	955894	4	Washer	